

Technical data sheet

Product features



Cooking range gas on open cabinet

Model	SAP Code	00008527
--------------	-----------------	----------



- Device type: Gas unit
- Power consumption of the zone 1 [kW]: 8,5
- Power consumption of the zone 2 [kW]: 4
- Ignition: Eternal flame
- Material: AISI 304 top plate and cladding

SAP Code	00008527	Power gas [kW]	12.500
Net Width [mm]	400	Type of gas	Natural gas, propane butane
Net Depth [mm]	730	Number of zones	2
Net Height [mm]	900	Power consumption of the zone 1 [kW]	8,5
Net Weight [kg]	38.00	Power consumption of the zone 2 [kW]	4

Technical data sheet

Technical drawing

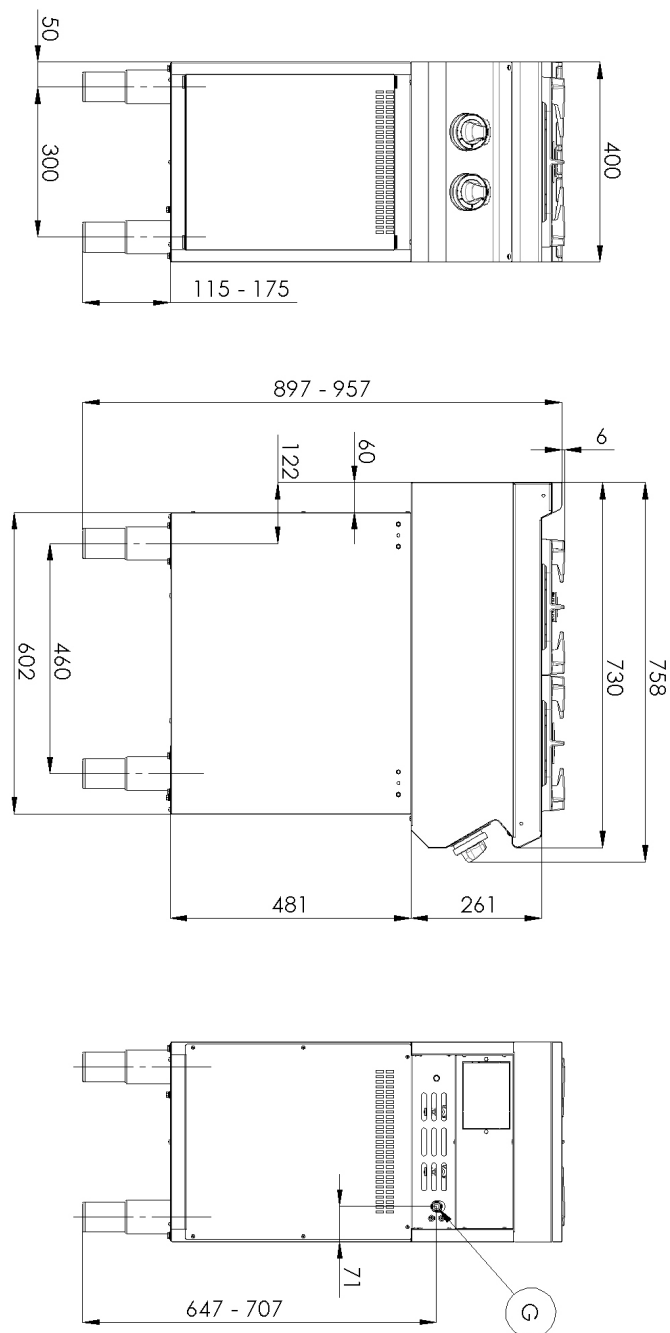


Cooking range gas on open cabinet

Model

SAP Code

00008527



Technical data sheet

Technical parameters



Cooking range gas on open cabinet

Model

SAP Code

00008527

1. SAP Code:

00008527

2. Net Width [mm]:

400

3. Net Depth [mm]:

730

4. Net Height [mm]:

900

5. Net Weight [kg]:

38.00

6. Gross Width [mm]:

440

7. Gross depth [mm]:

800

8. Gross Height [mm]:

1080

9. Gross Weight [kg]:

44.50

10. Device type:

Gas unit

11. Construction type of device:

With substructure

12. Power gas [kW]:

12.500

13. Ignition:

Eternal flame

14. Type of gas:

Natural gas, propane butane

15. Exterior color of the device:

Stainless steel

16. Material:

AISI 304 top plate and cladding

17. Worktop type:

Molded - comfortable cleaning maintenance

18. Worktop material:

AISI 304

19. Worktop Thickness [mm]:

1.50

20. Number of zones:

2

21. Power consumption of the zone 1 [kW]:

8,5

22. Power consumption of the zone 2 [kW]:

4

23. Grid material:

Cast iron

24. Service accessibility:

Trough the frontal panel

25. Safety thermocouple:

Yes

26. Adjustable feet:

Yes

27. Number of burners/hot plates:

2

28. Type of gas cooking zones:

Powerfull

Technical data sheet

Technical parameters



Cooking range gas on open cabinet

Model	SAP Code	00008527
--------------	-----------------	----------

29. Burner type:

Brass, detachable